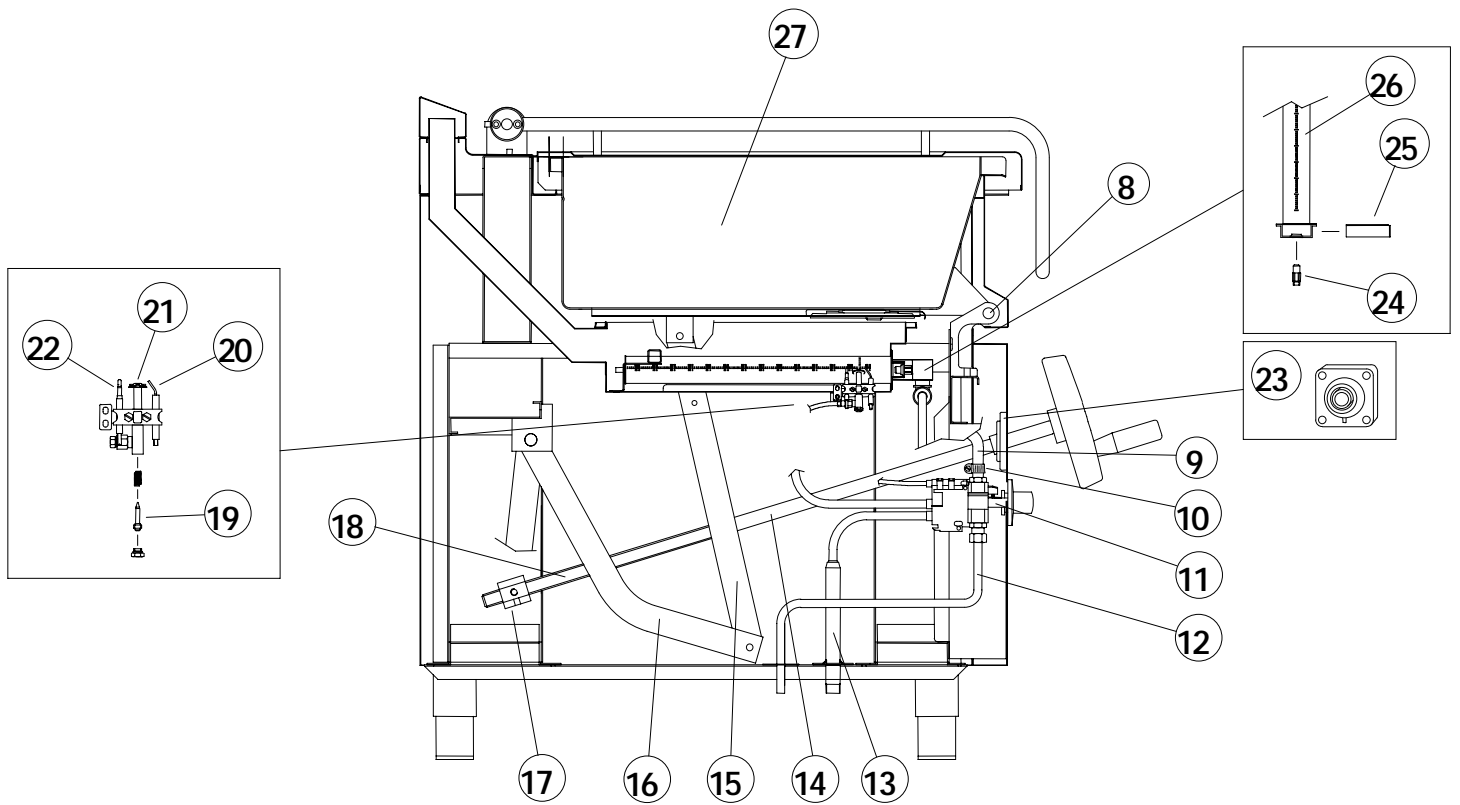
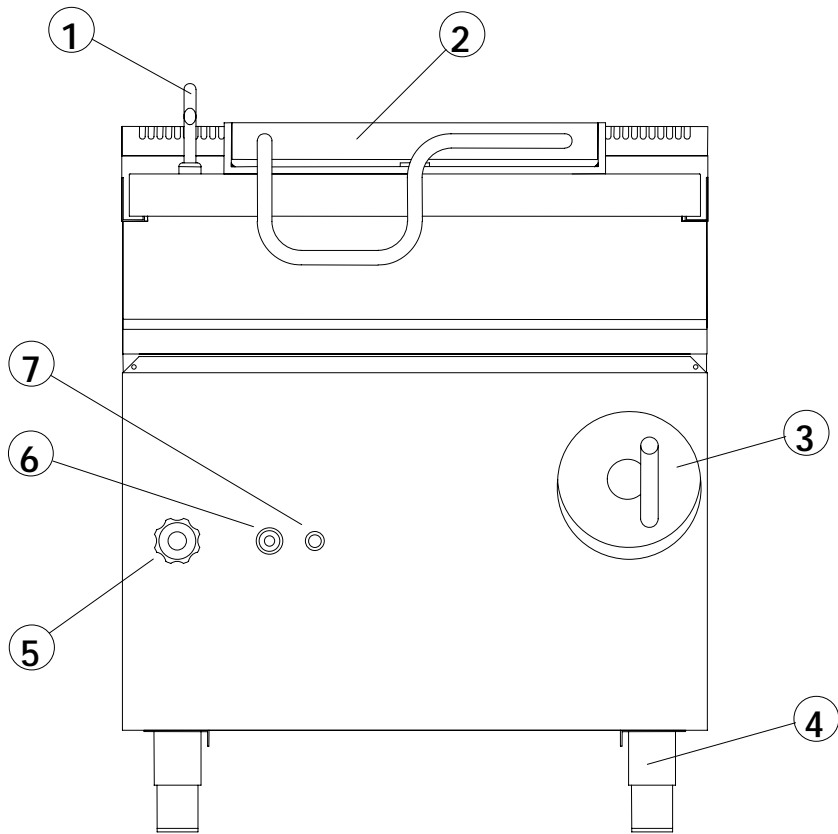
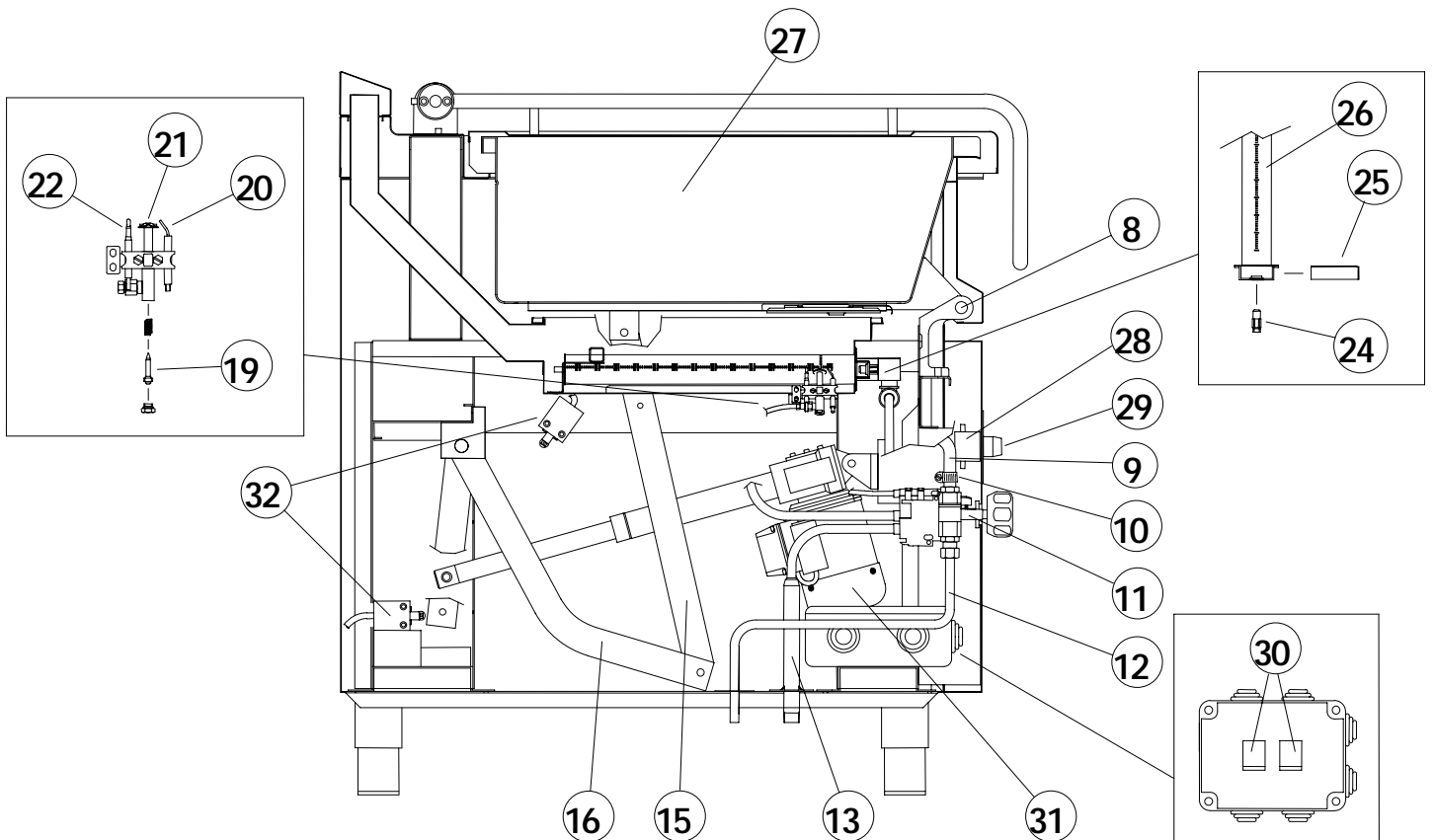
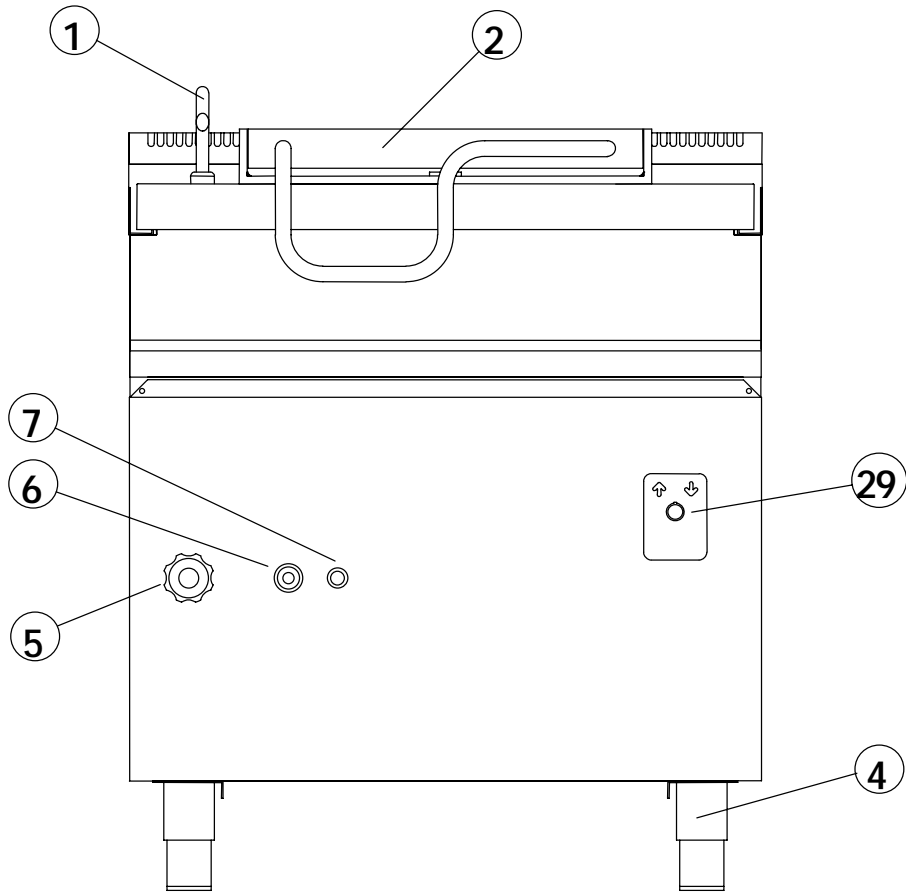


B8FIG9 - B8FAG9



B8FIG9 - B8FAG9

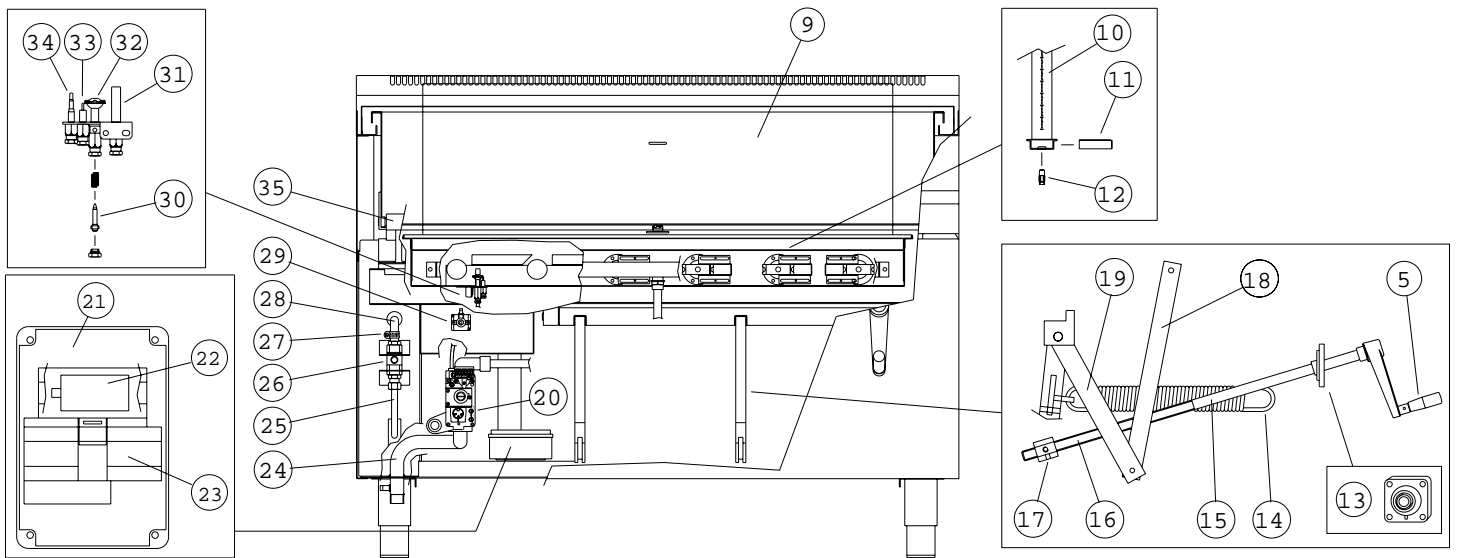
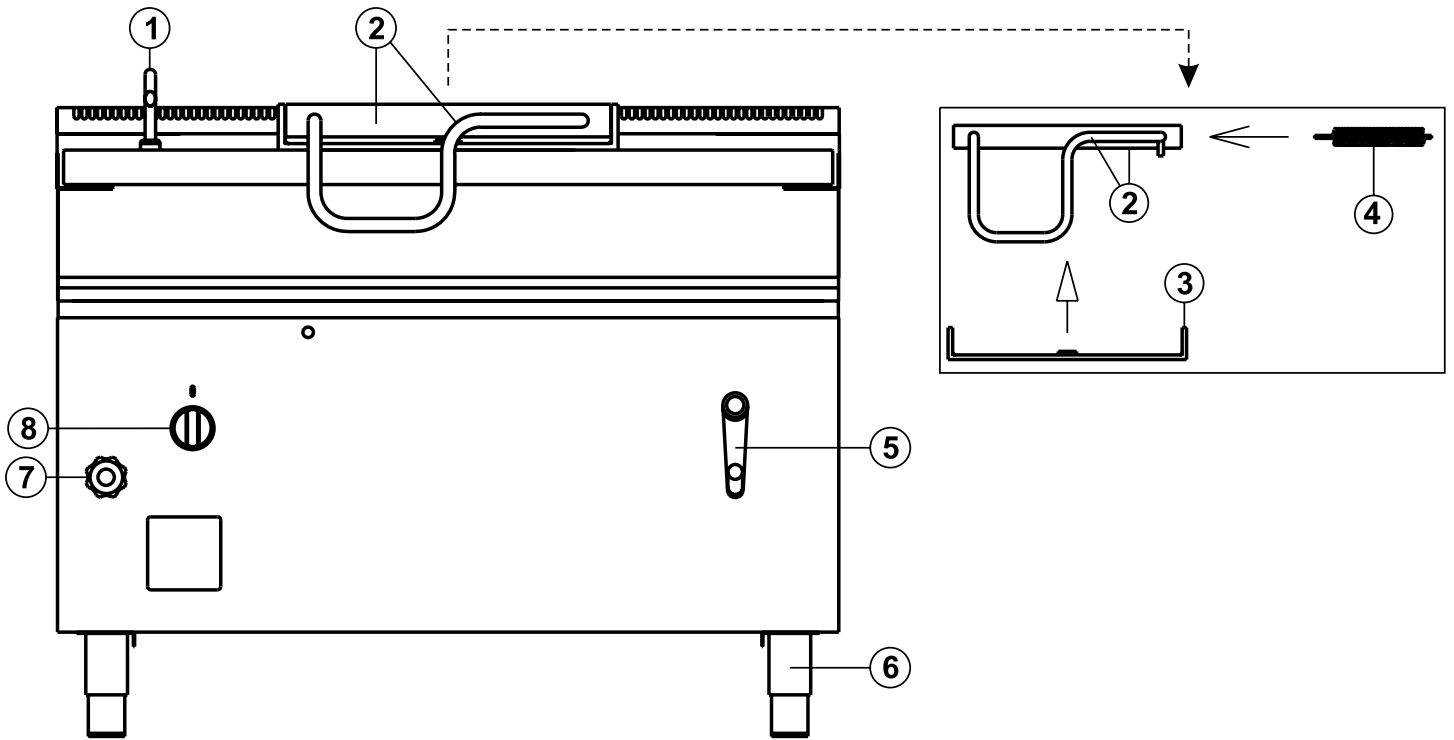
(con ribaltamento vasca motorizzato, Motor tilting pan, Motor kippvorrichtung, Renversement cuve motoriste, Vuelco cuba motorizado)



B8FIG9 – B8FAG9

Pos.	Cod.	IT	GB	DE - AT - CH	FR
01	<i>SMB0574-00</i>	Tubo carico acqua	Water inlet pipe	Wasserzulaufrohr	Tube d'eau
02	<i>SMB0608-00</i>	Maniglia	Handle	Griff	Poignée
03	<i>SMB0636-00</i>	Volantino completo	Handwheel	Handrad	Volant
04	20100020	Ass. piedino da 2" H=165	Foot 2" H=165	Fuss 2" H=165	Pied 2" H=165
05	30200008	Rubinetto carico acqua	Water inlet tap	Wasserzulaufhahn	Robinet d'alimentation
06	30100080	Valvola gas	Gas valve	Gasventil	Soupape gaz
07	40100150	Piezo	Piezo	Piezo	Piezo
08	<i>SMB0634-00</i>	Ass. staffa ribaltamento	Flask tilting of pan	Bügel für hubwerk kippbratpfanne	Étrier soulèvement cuve
09	10600011	Tubo (gomma) carico H ² O	(Rubber) water inlet pipe	Wasserzulaufrohr (aus Gummi)	Tube caoutchouc entrée d'eau
10	10300033	Fascetta	Clip	Schlauchbinder	Ceinture serre-tube
11	30200008	Rubinetto carico acqua	Water inlet tap	Wasserzulaufhahn	Robinet d'alimentation
12	<i>SMB0066-00</i>	Conduttura carico H ² O	Water inlet pipe	Wasserzulaufrohr	Raccord entrée eau
13	<i>SMB0064-00</i>	Ass. rampa entrata gas	Ramp gas inlet	Rampe gas eingang	Rampe entrée gaz
14	<i>SMB0630-00</i>	Prolunga per vite	Extension for Screw	Verlängerung für Schraube	Prolonge pour vis
15	<i>SMB0624-00</i>	Leva sup. sollevamento vasca	Lever for Tilting of pan	Hubhebel kippbratpfanne	Levier soulèvement cuve
16	<i>SMB0620-00</i>	Ass. gruppo sollevam. vasca	Tilting of pan	Hubwerk kippbratpfanne	Groupe soulèvement cuve
17	SC0022-00	Madrevite	Female screw	Schraubenmutter	Vis mère
18	<i>SMB0128-00</i>	Vite x gruppo sollevamento vasca	Screw for tilting of pan	Schraubenmutter	Vis basculement cuve
19	30500003	Ø40×G20	Ø40×G20	Ø40×G20	Ø40×G20
	30500005	Ø20×G30	Ø20×G30	Ø20×G30	Ø20×G30
20	30100054	Candela	Ignitor	Kerze	Bougie
21	30100005	Pilota	Pilot	Zündflammenbrenner	Pilote
22	40400110	Termocoppia	Thermocouple	Thermoelement	Thermocouple
23	20400012	Supporto ghisa con cuscinetto	Bearing	Kugellager	Coussinet
24		Ugello	Injector	Düse	Gicleur
	30500060	G20 20mbar Ø270	G20 20mbar Ø270	G20 20mbar Ø270	G20 20mbar Ø270
	30500074	G25 25mbar Ø305	G25 25mbar Ø305	G25 25mbar Ø305	G25 25mbar Ø305
	30500074	G25 20mbar Ø305	G25 20mbar Ø305	G25 20mbar Ø305	G25 20mbar Ø305
	30500020	G30 30mbar Ø120	G30 30mbar Ø120	G30 30mbar Ø120	G30 30mbar Ø120
	30500072	G30 50mbar Ø105	G30 50mbar Ø105	G30 50mbar Ø105	G30 50mbar Ø105
25	SC1404-00	Squadretta regolazione aria	Air regulator	Luftregler	Régulateur d'air
26	30400050	Brucciatore	Burner	Brenner	Brûleur
27	<i>SMB0640-00</i>	Ass. vasca (fondo Fe)	Bratt pan (bottom of Fe)	Tiegel kippbratpfanne (Boden Fe)	Cuve sauteuse (Fond Fe)
	<i>SMB0642-00</i>	Ass. vasca (fondo inox)	Bratt pan (bottom of inox)	Tiegel kippbratpfanne (Boden inox)	Cuve sauteuse (Fond inox)
	<i>SMB0644-00</i>	Ass. vasca (fondo compound)	Bratt pan (bottom of compound)	Tiegel kippbratpfanne (Boden compound)	Cuve sauteuse (Fond compound)
28	40100112	Blocchetto contatti 1NA	Contact block (normal open contact)	Kontaktblock	Bloc contacts
29	40100026	Selettore 3 posizioni c/rit al centro	Selector 3 positions with return	Wahler 3 position mit zuruck	Sélecteur 3 positions avec retour
30	40100030	Relè 3 P	Relais 3 P	Dreipoligen Relais	Relais 3 P
31	40300122	Attuatore lineare corsa	Actuator linear stroke	Aktuator linear fahrtrichtung	Actionneur ligne course
32	40100028	Finecorsa a rotella	Limit switch	Endschalter	Fin de course à roulette

B12FIG9 - B12FAG9



B12FIG9 – B12FAG9

(con ribaltamento vasca motorizzato, Motor tilting pan, Motor kippravrichtung, Renversement cuve motoriste, Vuelco cuba motorizado)

