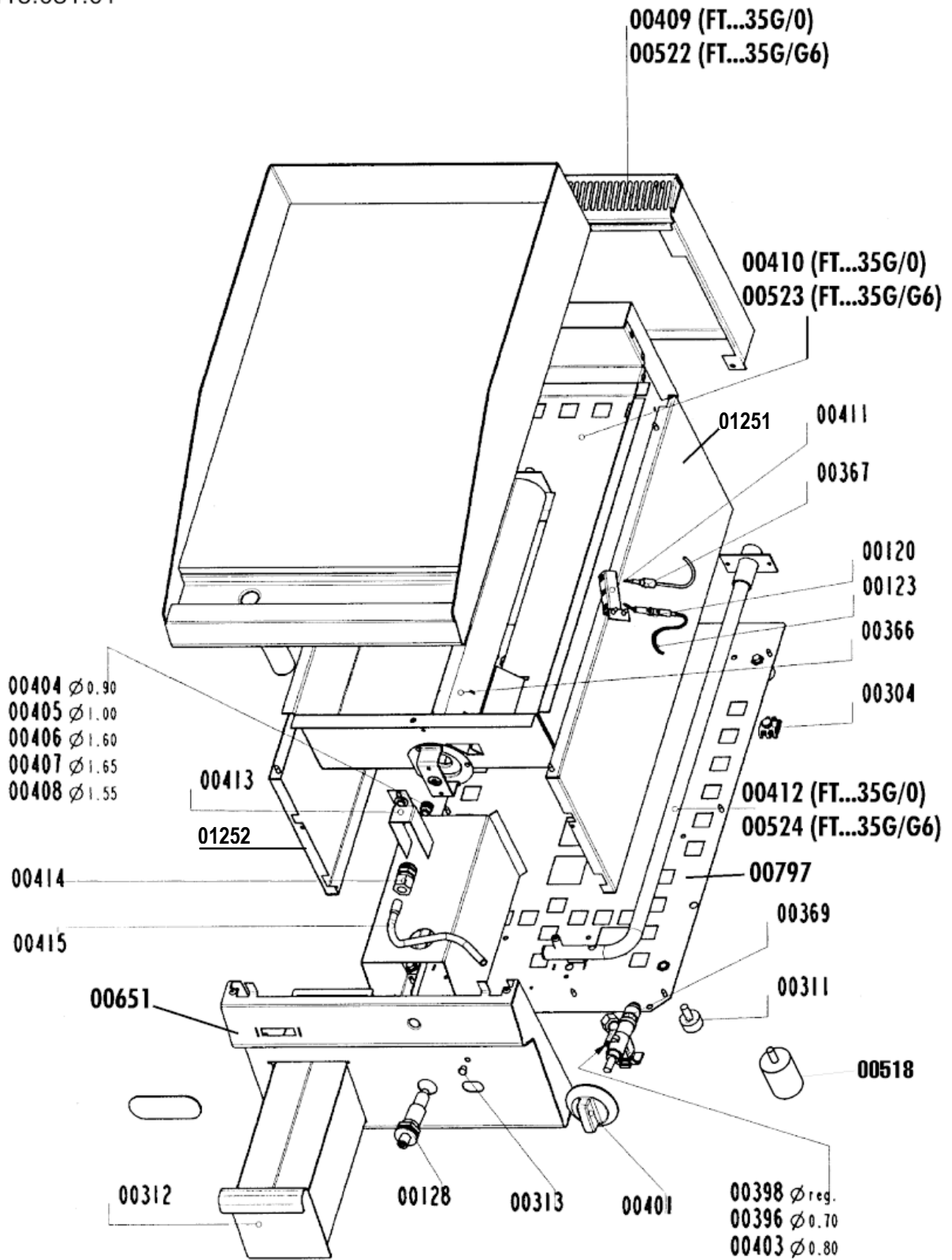


5415.031.01



# FT70G

Cod. 110035  
Cod. 110040  
Dis. 5415.033.00

